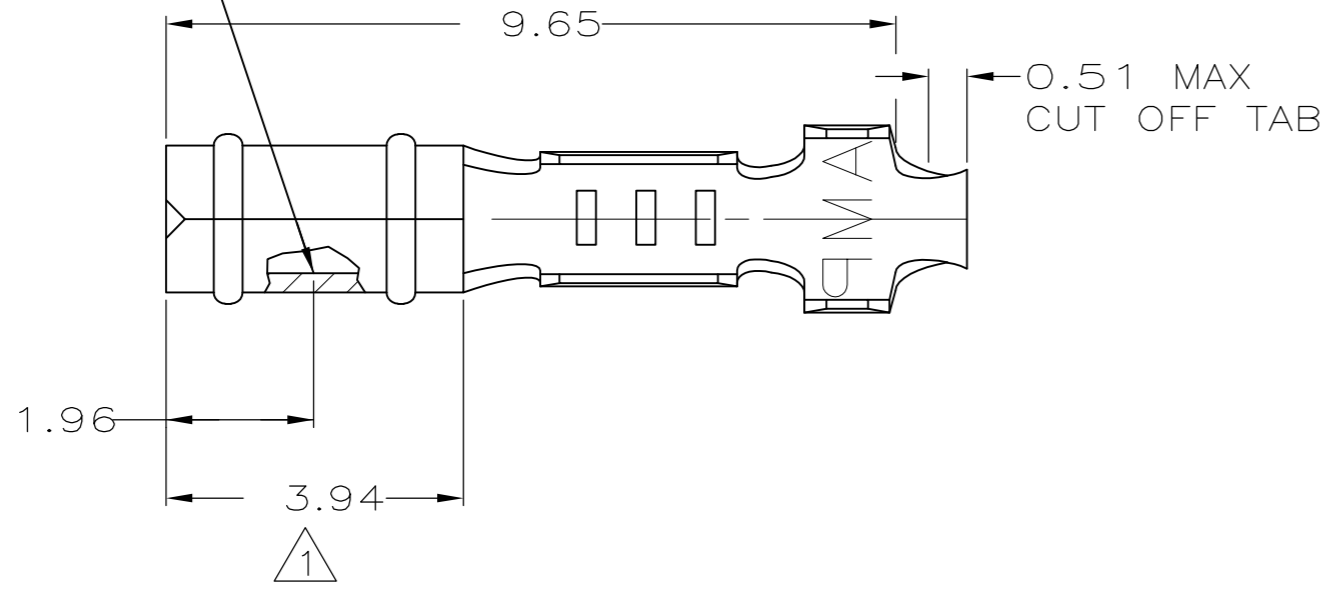


THIS DRAWING IS UNPUBLISHED. RELEASED FOR PUBLICATION
 © COPYRIGHT - By - ALL RIGHTS RESERVED.

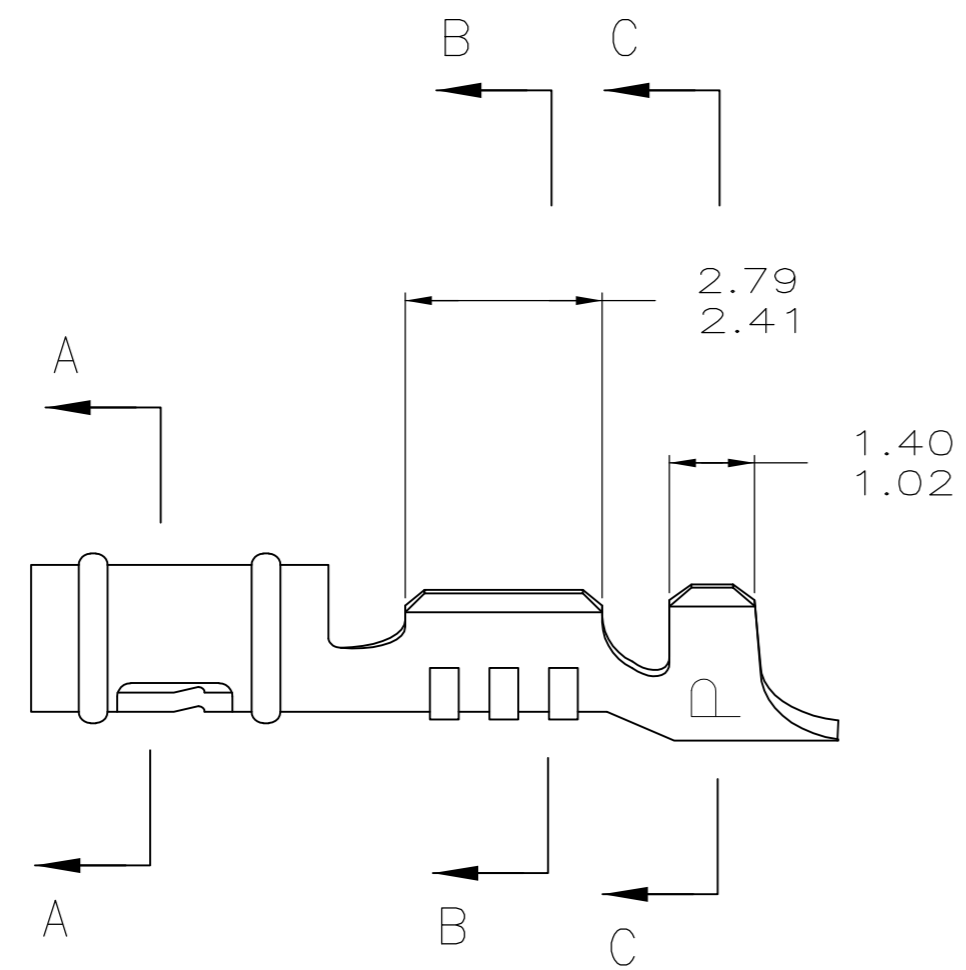
LOC		DIST		REVISIONS			
P	LTR	DESCRIPTION		DATE	DWN	APVD	
	Z1	REVISED PER ECO-11-004917		11MAR11	RK	HMR	

- ⚠ 0.00076 MIN SELECTIVE GOLD PLATING ON INSIDE OF RECEPTACLE OVER NICKEL OVER ALL UNDERPLATE.
- 2. WIRE RANGE: 0.12 - 0.4 MM² (26 - 22 AWG)
- 3. INSULATION RANGE: 0.89 - 1.65

POINT OF MEASUREMENT
 ⚠ 90° FROM SEAM



SECTION A-A



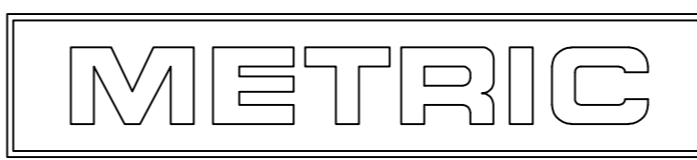
SECTION B-B

SECTION C-C

MATTE TIN	0.25 BE COPPER	60983-4
⚠	0.25 BE COPPER	60983-3
PRE-TIN	0.25 PH BRZ	60983-2
⚠	0.25 PH BRZ	60983-1
FINISH	MATERIAL	PART NUMBER

1.02	.040	1.65	.065	2.67	.105	-	-
0.89	.035	1.63	.064	2.41	.095	-	-
0.51	.020	1.486	.0585	2.29	.090	-	-
0.25	.010	1.47	.058	2.06	.081	9.65	.380
0.13	.005	1.40	.055	1.96	.077	3.94	.155
0.00076	0.00030	1.359	.0535	1.91	.075	2.79	.110
MM	IN	MM	IN	MM	IN	MM	IN

CONVERSION TABLE



THIS DRAWING IS A CONTROLLED DOCUMENT.

DIMENSIONS:	TOLERANCES UNLESS OTHERWISE SPECIFIED:	DWN	6-11-97	 TE Connectivity			
mm		T. BECK	6-11-97				
		R. SWING	6-11-97				
		A. BEDDICK	6-17-97				
	0 PLC ± -	APVD	6-17-97	NAME			
	1 PLC ± -	PRODUCT SPEC		RECEPTACLE, .058 DIAMETER,			
	2 PLC ± 0.13	APPLICATION SPEC		26-22 AWG, .035-.065 INSULATION,			
	3 PLC ± -			LOOSE PIECE, P.C. CONTACT			
	4 PLC ± -						
	ANGLES ± -						
MATERIAL	FINISH	WEIGHT		SIZE	CAGE CODE	DRAWING NO	RESTRICTED TO
SEE TABLE	SEE TABLE	-		A2	00779	C-60983	-
				CUSTOMER DRAWING		SCALE	SHEET
						10:1	1 of 1
							REV
							Z1